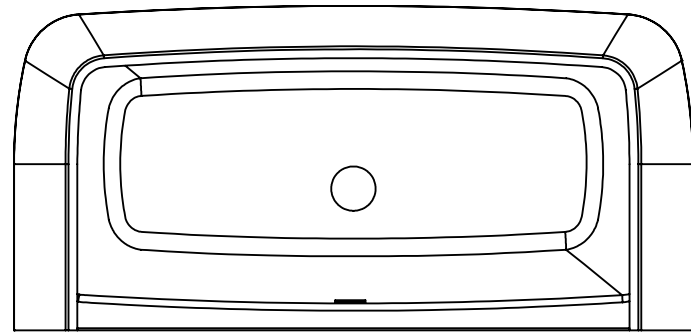
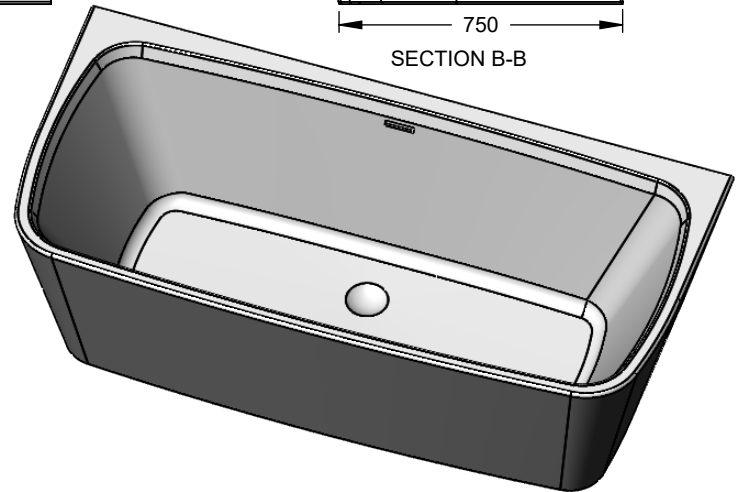
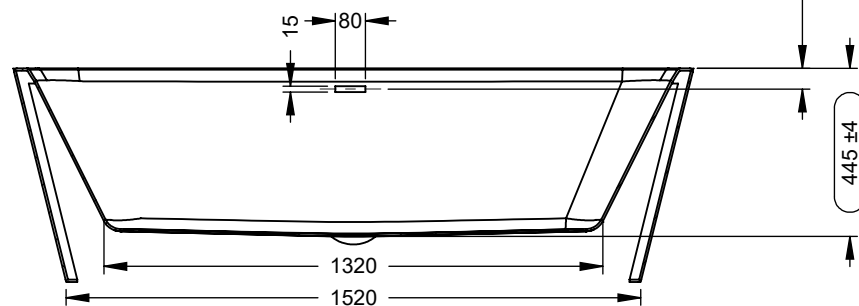


SECTION B-B



55 ±1,5



SECTION A-A

Treatment: Fibre reinforced on rear side											
Material: Acryl											
Rev	Change no	Dev	Date	Rev	Change no	Dev	Date	Rev	Change no	Dev	Date
A	A	BG	05-07-16	C	C	AM	28-11-16	E			
B	B	AM	17-10-16	D				F			
Scale: 1:20 Format: A4 Unit: mm Sheet: 1 of 1 Tolerance: NEN-ISO 2768-1 class v											
Name: Adore, wall mounted tub 180x86										 Third angle	
RIHO www.riho.com Tel: 0031135728728 Fax: 0031135720262				Drawn: BG Introduced by tech. change: 052/2016 Article nr.: BD04				Date: 15-06-2016 Project no.: 10.535 Draw.no.: BD04/C			