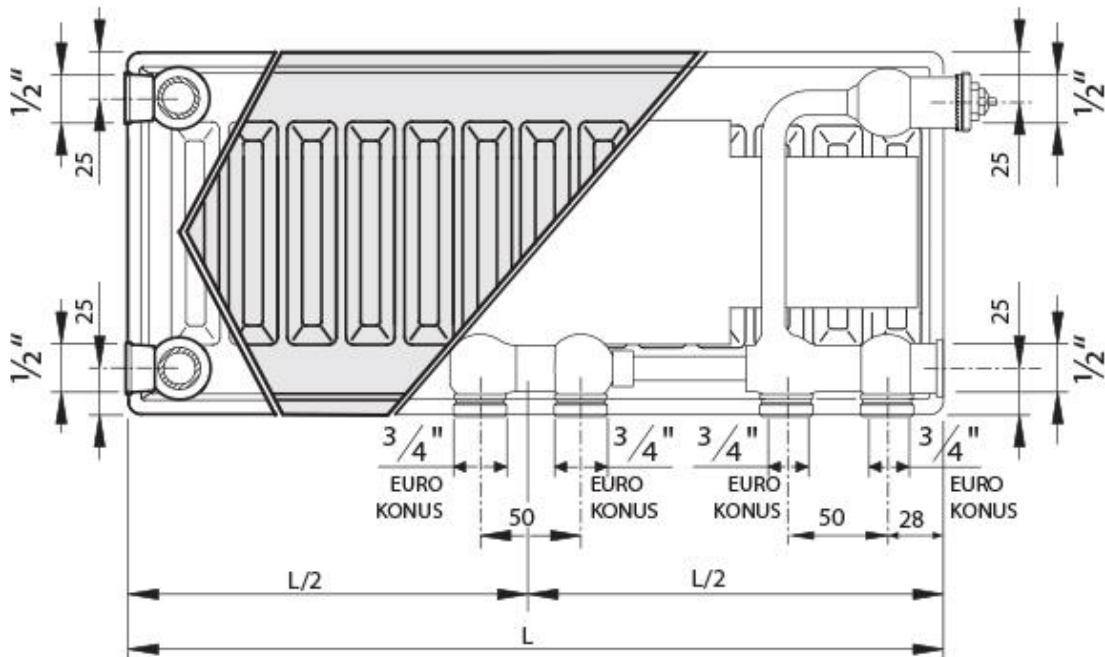
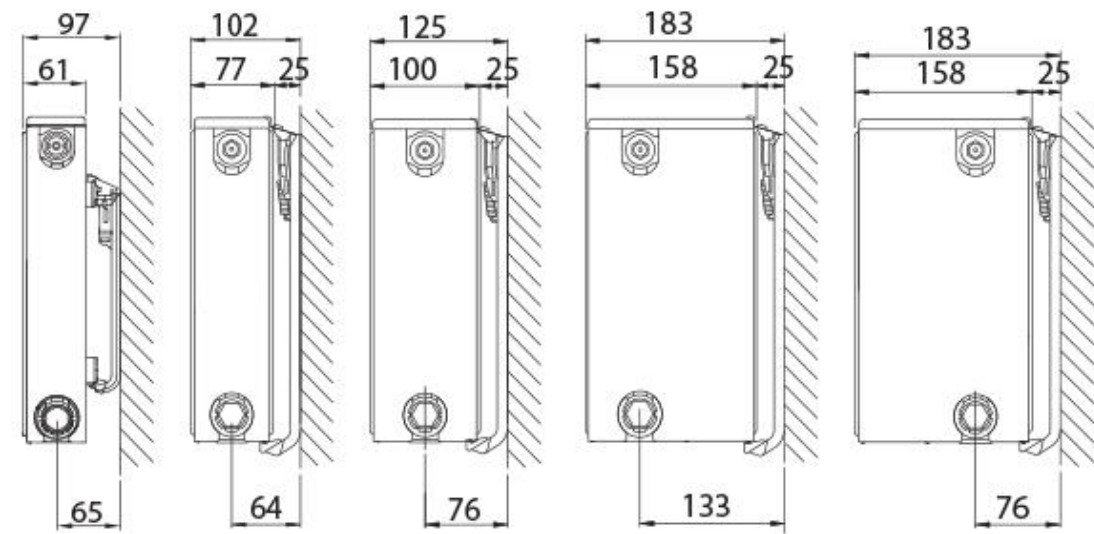


Typ(e) 11

Typ(e) 21

Typ(e) 22

Typ(e) 33

Typ(e) 33
(reversed)

L (mm)	400	500	600	700	800	900	1000	1100	1200
E (mm)	147	197	247	297	347	397	447	497	547

L (mm)	1400	1600	1800	2000	2200	2400	2600	2800	3000
E (mm)	647	747	847	947	1047	1147	1247	1347	1447

F: Center distance = Height - 50mm

L: Length (from 400 to 3000mm)

Minimum distance radiator bottom to floor: 120mm