

Receiver
From

 Society
 Reference
 Address
 Phone
 Fax
 E-mail

Item no.

60163600

Model:

E.SYBOX MINI

Pump data

 Pressure rating : 7,5 bar (750 kPa)
 Min. fluid temperature : 0 °C
 Max. fluid temperature : 40 °C
 Max. Temperature operating : 50 °C

Requested data

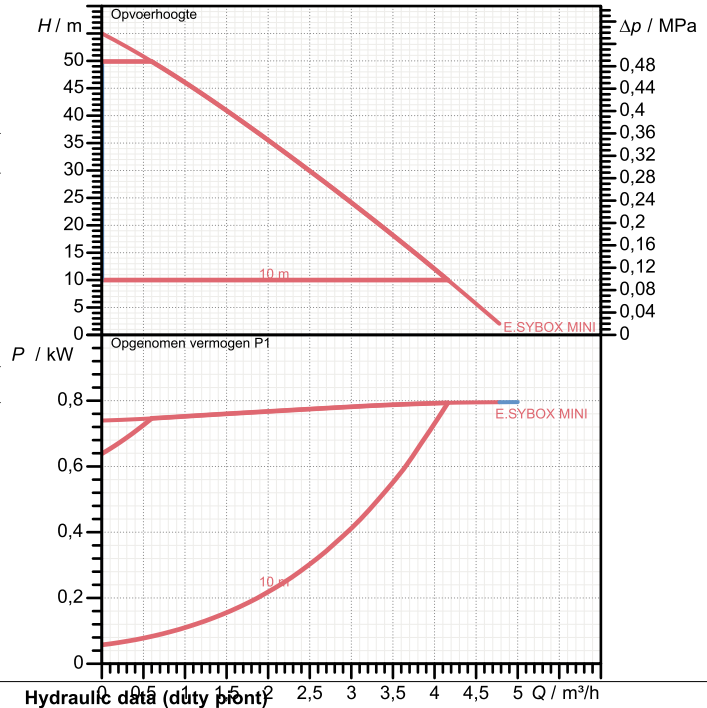
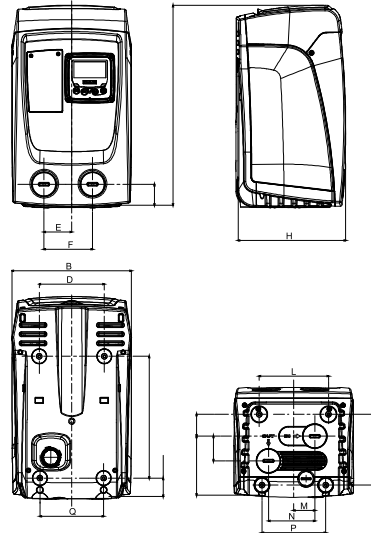
 Flow :
 Head :
 Fluid : Water
 Fluid Temperature : 20 °C
 Density : 998,3 kg/m³
 Kinematic viscosity : 1,005 mm²/s
 Dampspanning:

Materials

Motor liner	Stainless Steel AISI 304
OR ring	NBR
Mechanical seal	Impregnated carbon-resin/Ceramic/NBR
Plugs	PA 6.6 30% FV / PP OMO 30% FV
Suction body	PP OMO 30% GF
Insert	Brass
Spring	AISI 303
Diffuser	Noryl
Impeller	Noryl
Discharge section	PP OMO 30% GF
Non-return valve	Technopolymer/Rubber/Steel
Tank	Technopolymer/Rubber
Pressure sensor body	Technopolymer
MOTOR BODY	PP OMO 30% GF
Seal disk	PA 6.6 30% GF
Selfpriming shutter	POM
Heat sink	Brass
Flowmeter wheel	POM

Motor data

 Power input P1 0,8 kW
 Rated speed: 3000 1/min
 Rated voltage : 1~ 220-240 V 50 Hz
 Nominal current : 4 A
 Degree of protection : IP X4

Curve tolerance according to ISO 9906

 Flow :
 Head :

Dimension mm

A	439	G	267,5	P	140
B	263	H	236	Q	140
C	46	I	40,5	R	155,5
D	143	L	152	S	47,8
E	60,7	M	46	T	130
F	106,7	N	101,7	V	54,5

Gewicht: 14,6 kg

Pump connection

 Suction side 1" G / 7,5 bar (750 kPa)
 Discharge side 1" G / 7,5 bar (750 kPa)



PERFORMANCE CURVES

DAB PUMPS S.p.A.
Via Marco Polo, 14 - 35035 Mestrino (PD), Italy
Tel. +39 049 5125000 - Fax +39 049 5125950
www.dabpumps.com

02/12/2015

Pagina 2 / 3

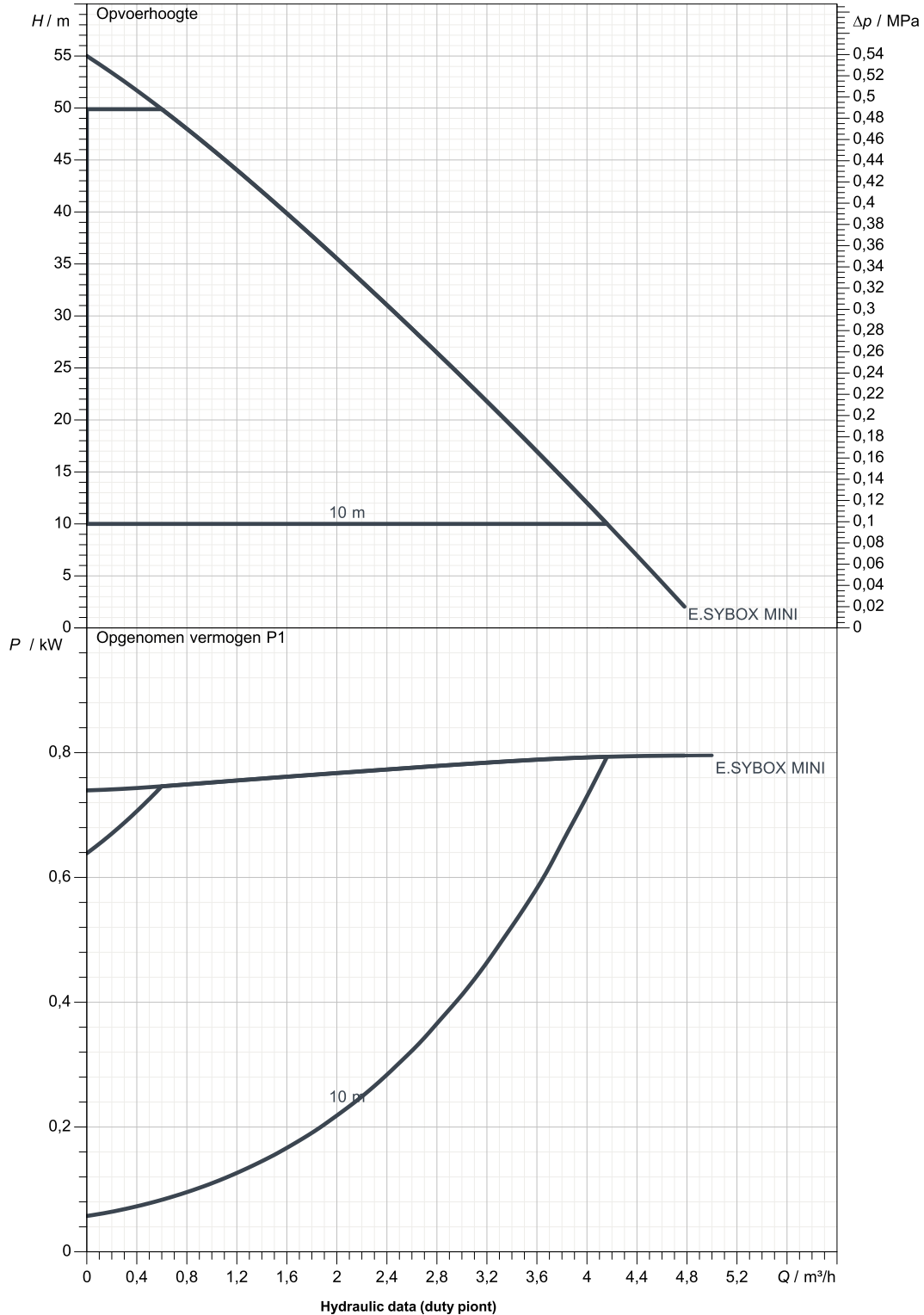
Receiver

From

Society
Reference
Address
Phone
Fax
E-mail

E.SYBOX MINI

Curve tolerance according to ISO 9906



Suction side 1" G 7,5 bar (750 kPa)	Discharge side 1" G 7,5 bar (750 kPa)	Flow :	Head :	Rated speed: 3000 1/min
MAIN_PROJECT_TITLE	BUSINESS_PROCESS_IC	OWNER_	ISSUE_DATE	



DIMENSIONAL DRAWING

DAB PUMPS S.p.A.
Via Marco Polo, 14 - 35035 Mestrino (PD), Italy
Tel. +39 049 5125000 - Fax +39 049 5125950
www.dabpumps.com

02/12/201€

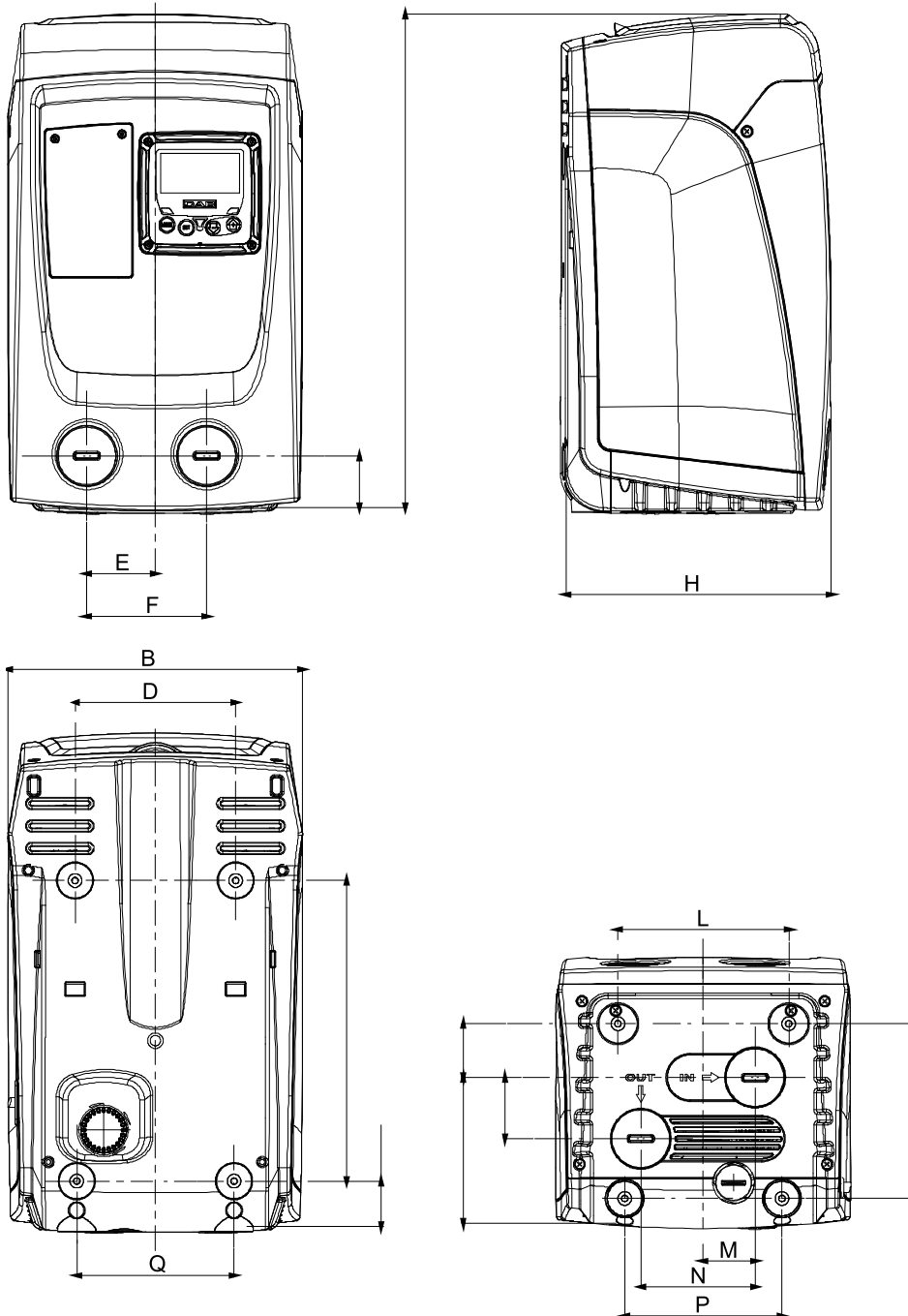
Pagina 3 / 3

Receiver

From

Society
Reference
Address
Phone
Fax
E-mail

E.SYBOX MINI



Dimensions in mm

Pump connection

1	A	439
2	B	263
3	C	46
4	D	143
5	E	60,7
6	F	106,7
7	G	267,5
8	H	236
9	I	40,5
10	L	152
11	M	46
12	N	101,7

P	140
Q	140
R	155,5
S	47,8
T	130
V	54,5

Suction
1" G
7,5 bar (750 kPa)

Discharge
1" G
7,5 bar (750 kPa)

MAIN_PROJECT_TITLE

BUSINESS_PROCESS_I

OWNER_

ISSUE_DATE