

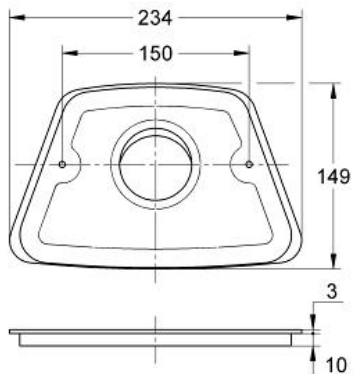
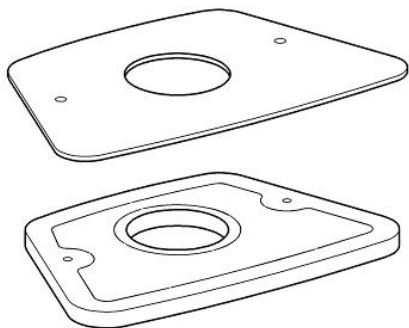
Dichting Set

MODEL # 37794

GROHE nv - sa | Diependaalweg 4a | 3020 Winksele
Tel: +32 (0) 16 23 06 60 | Fax: +32 (0) 16 23 90 70
Mail: info.be@grohe.com

Pure Freude
an Wasser

GROHE



Product Description:
Dichting Set

Standard Specification:

Color:

□ 37794 000 geen kleur