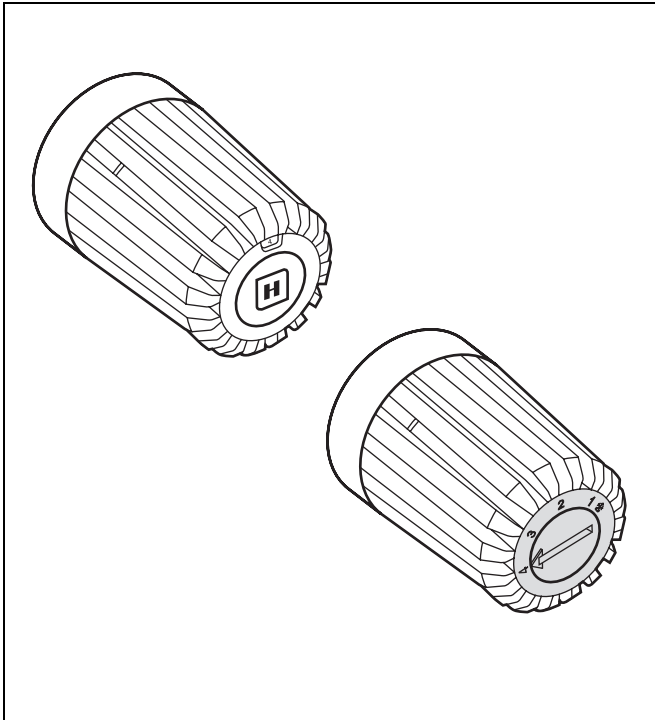


Thera-Van

Thermostat with theft protection

Product data



Design

The radiator thermostat consists of:

- Housing
- Sensor with support cage
- Wax-filled sensing element

Materials

- Housing and spindle assembly made of shock resistant, high quality plastic, white to RAL9016
- Sensor filled with wax
- Connection nut made of nickel-plated brass

Application

Thermostats of this type have a theft-resistant, heavy duty design and were specially designed for use in public buildings such as offices, schools, barracks or hospitals.

A Radiator Thermostat is installed onto a Thermostatic Radiator Valve Body (TRV body). The combination of both, the Thermostatic Radiator Valve (TRV), controls the room temperature by adjusting the flow of hot water through a radiator.

TRVs are installed in water-based heating systems on the supply or, less commonly on the return connection of radiators.

Honeywell radiator thermostats with Honeywell (HW) M30 x 1.5 connection are suitable for all TRV body and radiator inserts with M30 x 1.5 connection and 11.5 mm closing dimension.

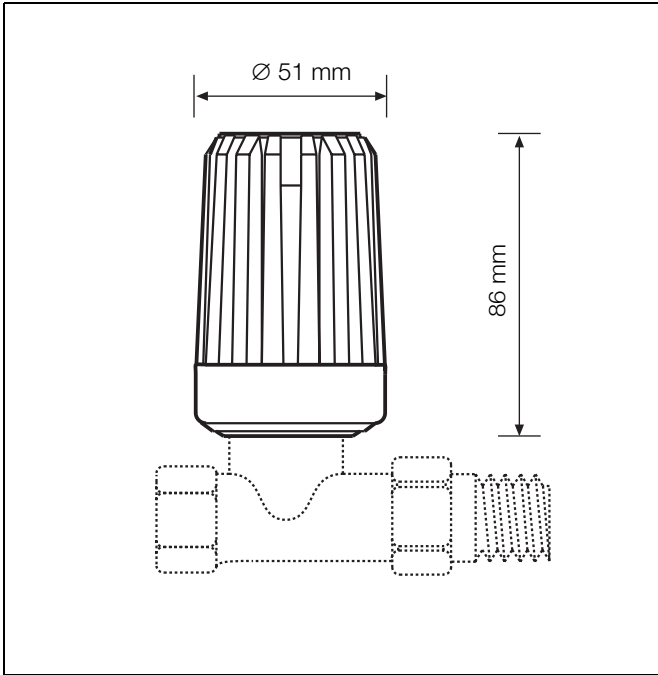
Features

- **Thermostat resists extreme loads**
- **Thermostat can only be removed with special tool**
- **Setting with setpoint numerics**
- **Adjustment of the fixed setpoint with a setting key (T100V-101 and T100VM-101 only)**
- **Lock disk against unauthorized adjustment (T100V-101 and T100VM-101 only)**
- **Reliable wax-filled sensing element**

Specifications

Thermostat connection	M30 x 1,5
Setpoint range	* - 1..6 T100V-101 and T100VM-101 * - 1..4 T100V-241 and T100VM-241 preset to "4" (20°C / 68°F)
Temperature range	6...26°C T100V-101 and T100VM-101 43...79°F 6...20°C T100V-241 and T100VM-241 43...68°F
Hysteresis	1.0 K
Influence of differential pressure	0.72 K
Influence of heating medium	0.9 K
Response time	24 min
Bending force	>1000 N
Closing dimension	11.5 mm

Dimensions



Setpoint

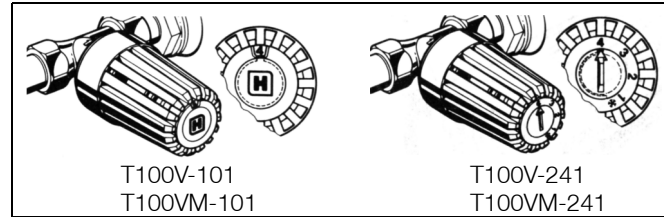


Table 1. Thermostats T100V-101 and T100VM-101

Setpoint	*	1	2	3	4	5	6
°C	6	8	12	16	20	23	26
°F	43	46	54	61	68	73	79

Table 2. Thermostats T100V-241 and T100VM-241

Setpoint	*	1	2	3	4
°C	6	8	12	16	20
°F	43	46	54	61	68

NOTE: All °C and °F-values approximate. Heating can freeze when radiator thermostats with zero-position are set at position '0'. Zero-position is also thermostatically controlled - when temperature falls the TRV may open.

NOTE: All °C- and °F-values specified at ideal incident flow. This can differ from stated values depending on installation position and air flow.

Ordering Information

Table 3. Available versions and OS-Nos (OS=Ordering Specification)

Series	Type	Connection	for valve series	OS-No.
Thera-Van				
101	Temperature range fixed with lock disk (6...26°C / 43...79°F)	M30 x 1.5	V2000 V100	T100VM-101 T100V-101
241	Temperature range variable (6...20°C / 43...68°F)	M30 x 1.5	V2000 V100	T100VM-241 T100V-241

Accessories

Special tool to remove thermostat



WT100V

Screw lock



5 pieces, for T100V-101 and T100V-241

AS100V

5 pieces, for T100VM-101 and T100VM-241

AS100VM

Lock disk



5 pieces, for T100V-101 and T100VM-101

FS100V

Please Note:

- To avoid stone deposit and corrosion the composition of the medium should conform with VDI-Guideline 2035
- Additives have to be suitable for EPDM sealings
- System has to be flushed thoroughly before initial operation with all valves fully open
- Any complaints or costs resulting from non-compliance with above rules will not be accepted by Honeywell
- Please contact us if you should have any special requirements or needs

Environmental and Combustion Controls

Honeywell GmbH
 Hardhofweg
 74821 Mosbach, Germany
 Phone: +49 (6261) 810
 Fax: +49 (6261) 81393
 www.honeywell.com

ENOH-2019GE23 R1111
 November 2011
 © 2011 Honeywell International Inc.
 Subject to change without notice
 Manufactured for and on behalf of the Environmental and Combustion
 Controls Division of Honeywell Technologies Sàrl, Z.A. La Pièce 16,
 1180 Rolle, Switzerland by its Authorised Representative Honeywell GmbH

